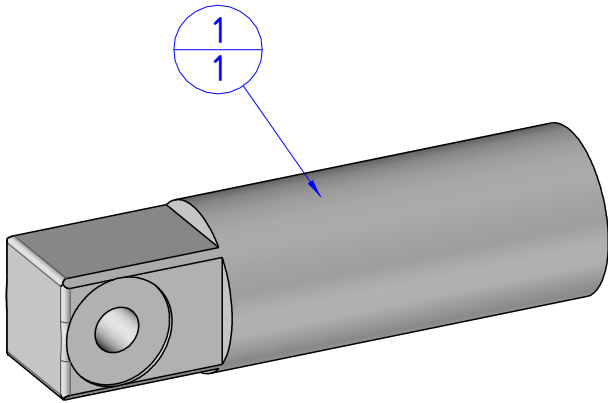
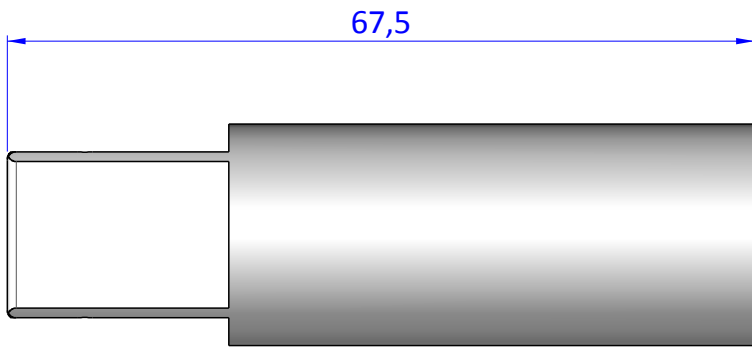
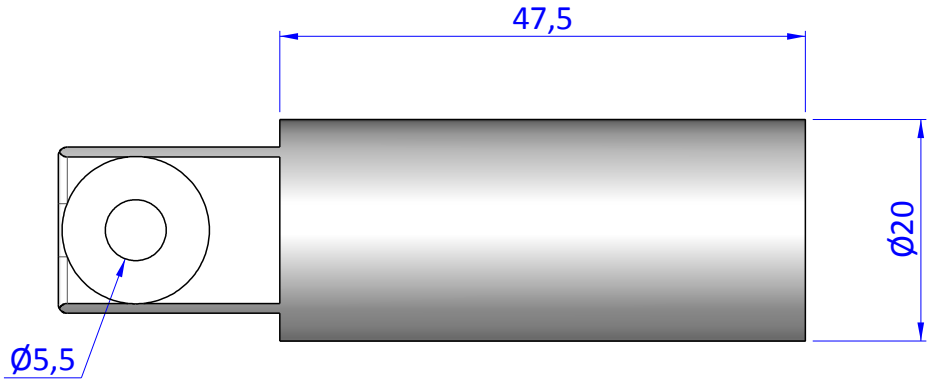

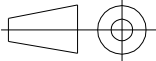


Item	Name	Q.ty
1	04.12.001	1



THE PROPERTY OF THE DRAWING IS ESTABLISHED BY LAW. IT IS FORBIDDEN TO PRODUCE OR SHOW IT TO THIRD PART. WITHOUT A WRITTEN AGREEMENT.

Format A4 UNI 936-76	 FPS FPSERVICES AUTOMATION			DESIGNED FROM	FPS Automation	REVIEW	A
	GENERAL TOLERANCE	DESCRIPTION		DATE	16/05/2019	WEIGHT	0,051kg
	UNI - ISO 2768 CLASSE f	CA.04.12.001		CODE	CA.04.12.001		